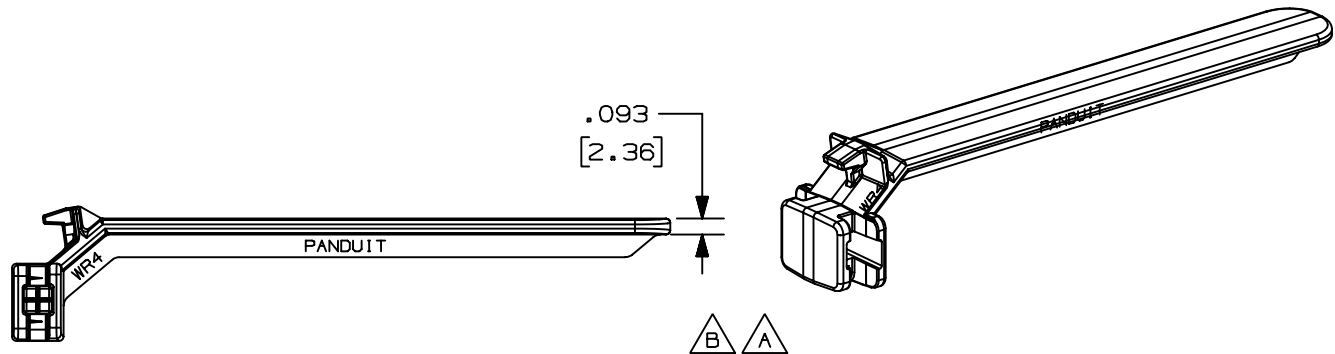
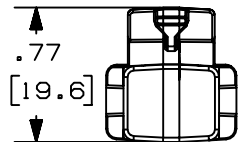
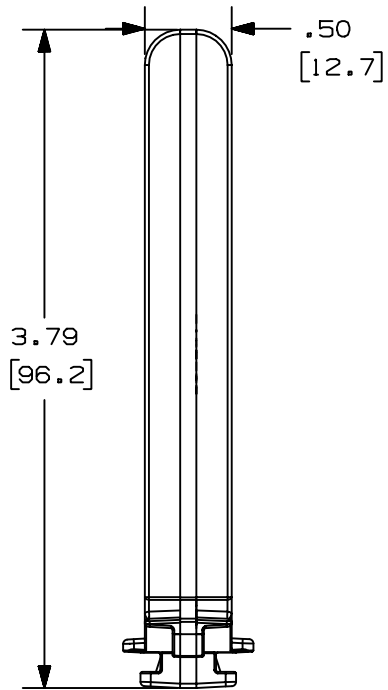


THIS COPY IS PROVIDED ON A RESTRICTED BASIS AND IS NOT TO BE USED IN ANY WAY DETRIMENTAL TO THE INTERESTS OF PANDUIT CORP.



PANDUIT P/N	WEIGHT
WR4	1.121 LB/ 100PCS. (510g/ 100PCS.)



NOTES:

1. SEE CURRENT CATALOG FOR ADDITIONAL PART SUFFIXES TO INDICATE COLOR AND OR PACKAGE QUANTITY.
2. THIS WIRE RETAINER IS TO BE USED TO RETAIN WIRES IN "G" DUCT SIZES 4" X 1.5" THRU 4" X 4".
3. DIMENSIONS IN PARENTHESIS ARE METRIC.

CAD FILENAME/LAYERS D35541DJ_DC_WR4_03C.PRT

PANDUIT CORP. TINLEY PARK, ILLINOIS
 WIRING DUCT AND CABLE MANAGEMENT
 WIRE RETAINER (WR4)
 FOR USE WITH TYPE "G" DUCT - CUSTOMER DRAWING

UNLESS OTHERWISE SPECIFIED,
 DIMENSIONAL TOLERANCES ARE:
 (.X) ± (.XXX) ±
 (.XX) ±.03 (.8) ANGLES ±

UNLESS OTHERWISE SPECIFIED,
 ALL DIMENSIONS ARE GIVEN
 IN INCHES, THIRD ANGLE PROJECTION.

REV	DATE	BY	CHK	DESCRIPTION	ECN	R	CUST	SUP
2	2/9/04	JCST		C. CHANGED NOTES B. CHANGED TITLE	35541-62			
1	8-29-00	JHNU	HIW	A. REVISED AND REDRAWN.	35541-62	HIW	HIW	
R	3-13-97	RCA	CEF	RELEASED TO PRODUCTION	35541-62	CEF	CEF	

DRAWN BY
RCA
 DATE
3-13-97
 CHK'D
CEF

MAT'L:
ABS

SCALE NONE
 DRAWING NO.
35541-62
 DWG
A
 SIZE